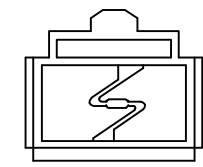
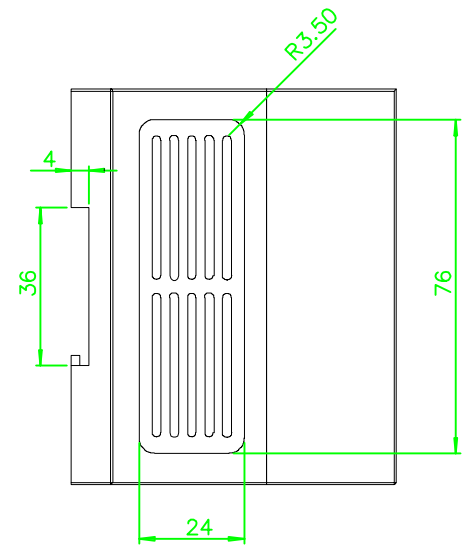
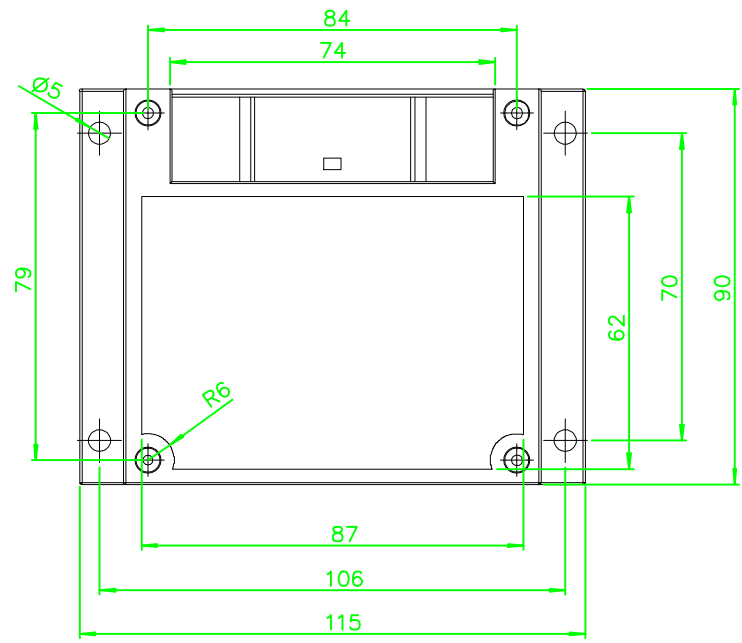
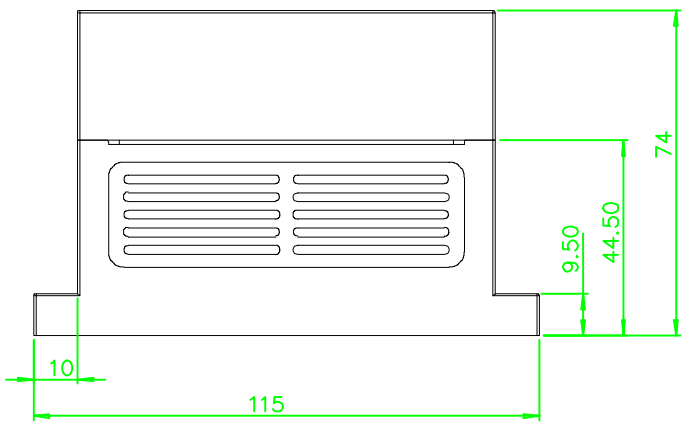



REVISION RECORD				
REV	ECD	DESCRIPTION	DRFT	CHKD



卡扣

DETACHED LISTS	MM (INCH)		DFTD	DATE	 <b>埃弗勒斯</b> <b>EVEREST</b> <a href="http://WWW.EVERESTCASE.COM">WWW.EVERESTCASE.COM</a>
	TOLERANCES EXCEPT AS NOTED		CHKD	DATE	
			MFD	DATE	
			APPVL	DATE	
.0 ± 0.3		±	MATERIAL : <b>ABS</b>		TITLE <b>PLC012</b>
.00 ± 0.2		±	QT'Y :		
.000 ± 0.1		±	FINISH:		DRAWING NO. <b>PLC012</b>
ANGLES ± 5°		FIRST ANGLE PROJECTION		SCALE : 1:1	SIZE A4
				DO NOT SCALE DRAWING	REV
				SHEET 1	OF 1