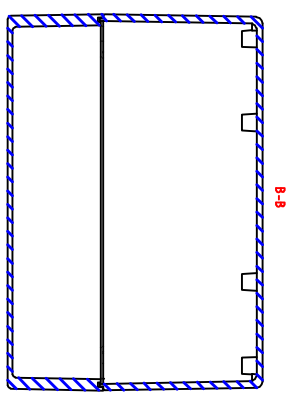
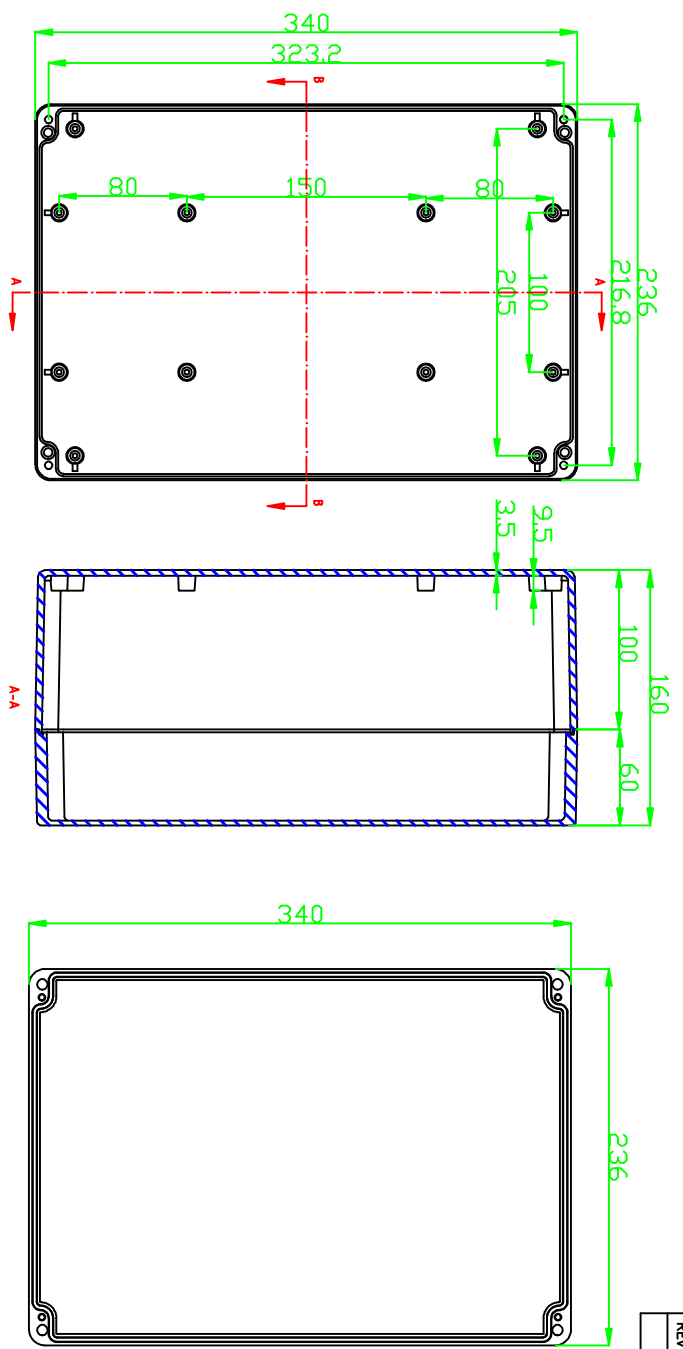


REVISION RECORD				
REV	ECD	DESCRIPTION	DRFT	CHKD



DETACHED LISTS		NAME		DATE	
 FIRST ANGLE PROJECTION	 TOLERANCES EXCEPT AS NOTED	DRAWN	Jonse	12/09/2014	
 ANGLES ± 5°	 FINISH:	CHECKED			
 MATERIAL:	 QTY:	ENG APPR			
 TITLE:	 DRAWING NO:				
	 /PART NO:				
	 SCALE:				
	 SHEET:				

**埃弗勒斯**  
EVEREST  
WWW.EVERESTCASE.COM

**AW085**

SIZE  
A4  
REV

SHEET 1 OF 1