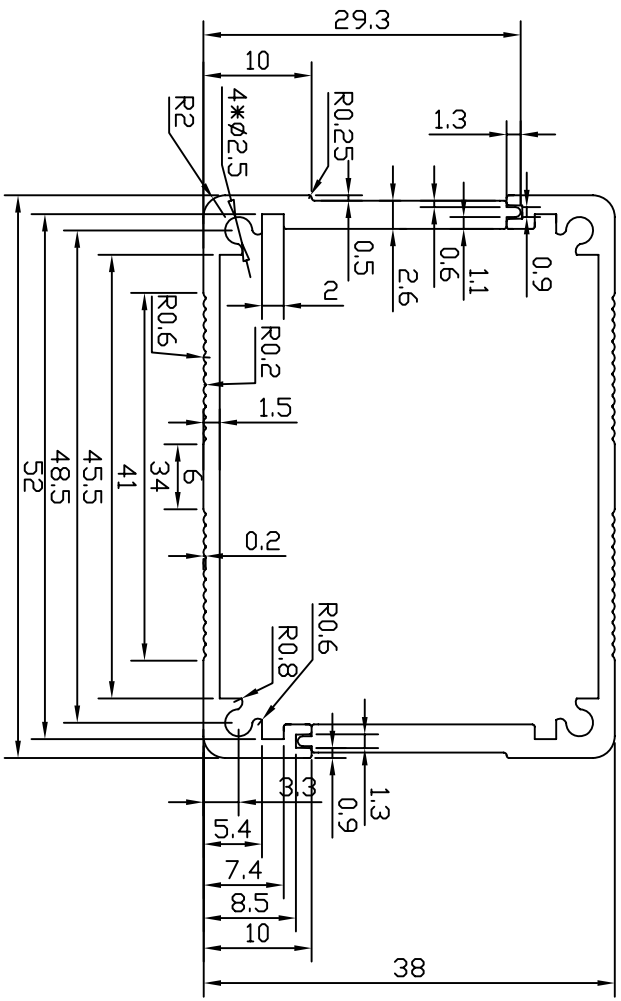


REVISION RECORD				
REV	ECO	DESCRIPTION	DRFT	CHKD



DETACHED LISTS		DATE	DATE	DATE	DATE
MM	0 ± 0.3	MM	DATE	DATE	DATE
MM	0.00 ± 0.02	MM	DATE	DATE	DATE
MM	0.000 ± 0.01	MM	DATE	DATE	DATE
ANGLES ± 5°		DATE	DATE	DATE	DATE
FINISH:		DATE	DATE	DATE	DATE
SCALE: 1:1		DATE	DATE	DATE	DATE
THIRD ANGLE PROJECTION		DATE	DATE	DATE	DATE
MATERIAL: AL		DATE	DATE	DATE	DATE
QTY: 1		DATE	DATE	DATE	DATE
TOLERANCES EXCEPT AS NOTED		DATE	DATE	DATE	DATE
DRFTD		DATE	DATE	DATE	DATE
CHKD		DATE	DATE	DATE	DATE
MFD		DATE	DATE	DATE	DATE
APPLY		DATE	DATE	DATE	DATE

埃弗勒斯 EVEREST
WWW.EVERESTCASE.COM

TITLE
AEH117

DRAWING NO. AEH117
/PART NO. 00
SIZE A4
REV
DD NOT SCALE DRAWING SHEET 1 OF 1