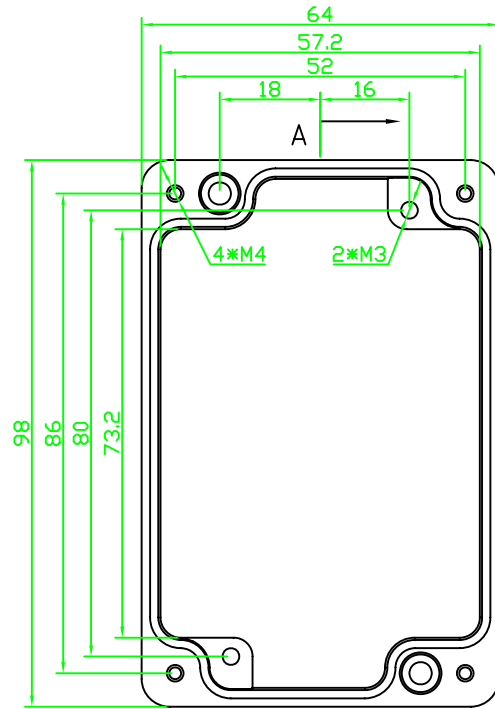
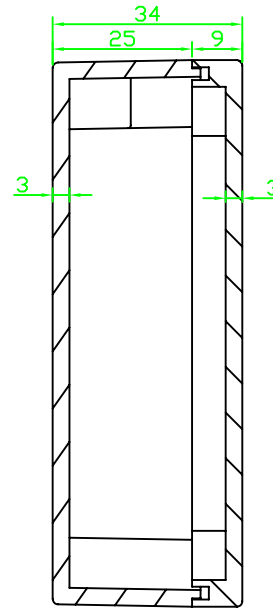


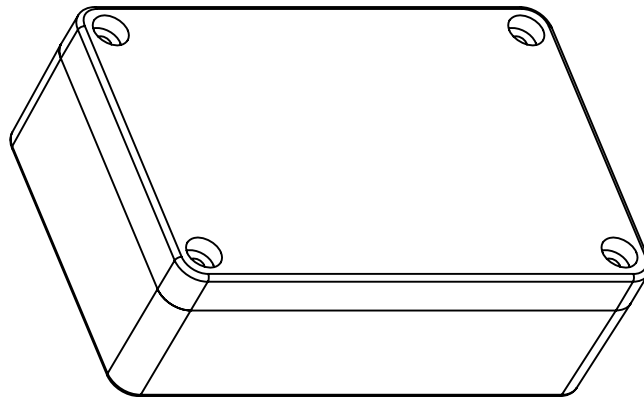
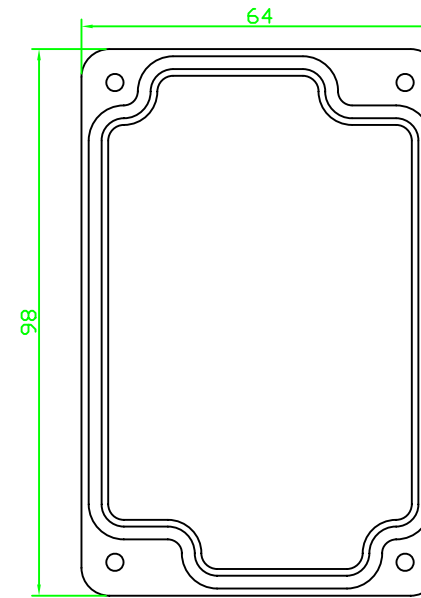
REVISION RECORD				
REV	ECD	DESCRIPTION	DRFT	CHKD




A



A-A



DETACHED LISTS	MM (INCH)	DFTD	DATE	 EVEREST WWW.EVERESTCASE.COM	
	TOLERANCES EXCEPT AS NOTED	CHKD	DATE		
	MM	MFD	DATE		
	APPVL	DATE			
.0 ± 0.3	±	MATERIAL : AL	TITLE	AW038	
.00 ± 0.2	±	QT'Y :	DRAWING NO. AW038		SIZE
.000 ± 0.1	±	FINISH:	/PART NO. 00	A4	
ANGLES ± 5°	±	SCALE : 1:1	DO NOT SCALE DRAWING	SHEET 1	OF 1
FIRST ANGLE PROJECTION					