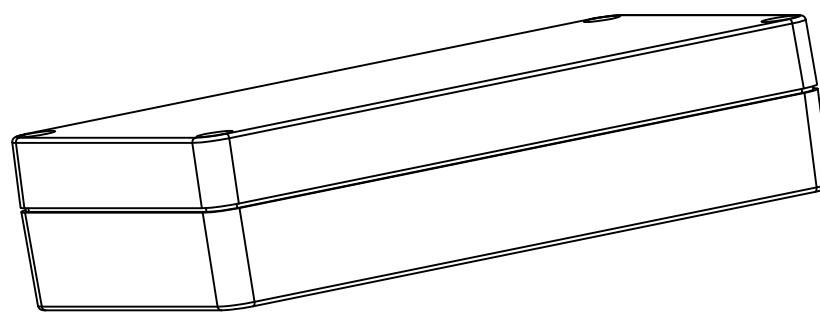
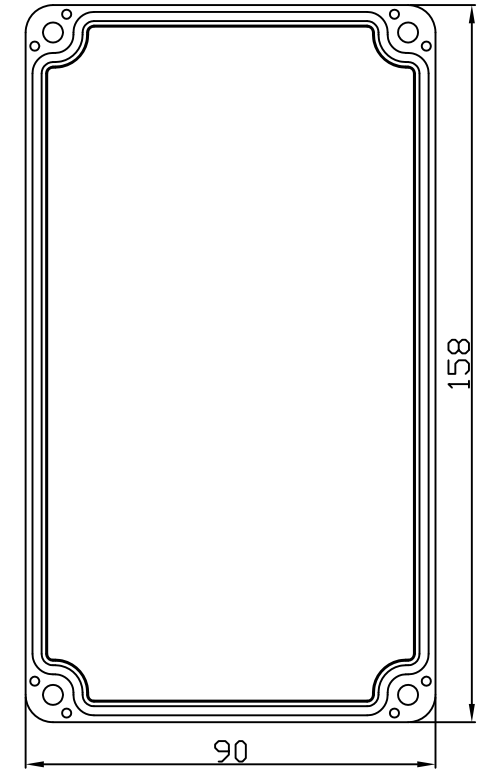
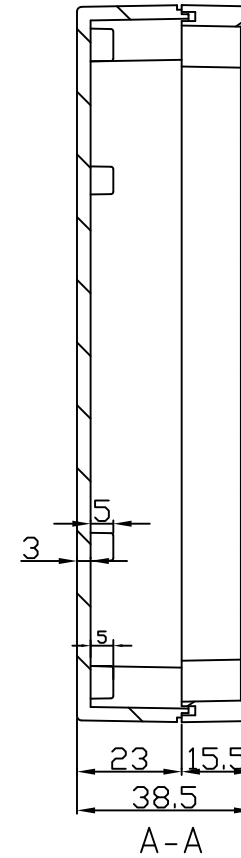
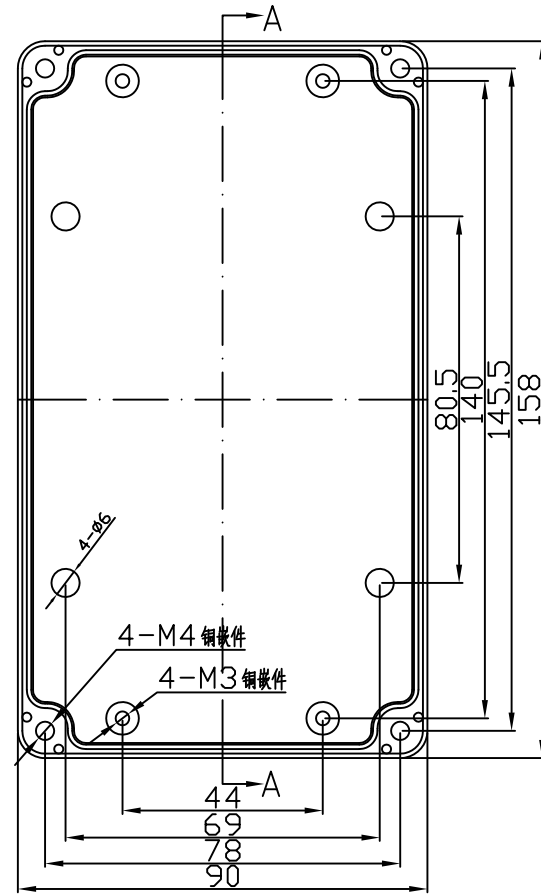



REVISION RECORD				
REV	ECD	DESCRIPTION	DRFT	CHKD



DETACHED LISTS	MM (INCH)		DRAWN	NAME	DATE	 <b>EVEREST</b> WWW.EVERESTCASE.COM	TITLE			
	TOLERANCES EXCEPT AS NOTED		CHECKED	Aaron	03/04/2015		PW138			
	MM	±	ENG APPR.				DRAWING NO. PW138		SIZE	REV
	.0 ± 0.3	±					/PART NO. 00		A4	
.00 ± 0.2	±	MATERIAL : ABS		QT'Y :		DRAWING NO. PW138		SIZE	REV	
.000 ± 0.1	±	FINISH:		SCALE : 1:1		/PART NO. 00		A4		
ANGLES ± 5°		FIRST ANGLE PROJECTION		DO NOT SCALE DRAWING		SHEET 1		OF 1		